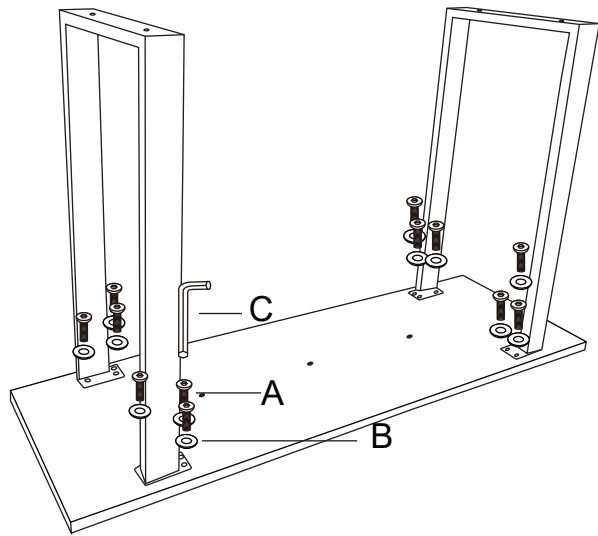
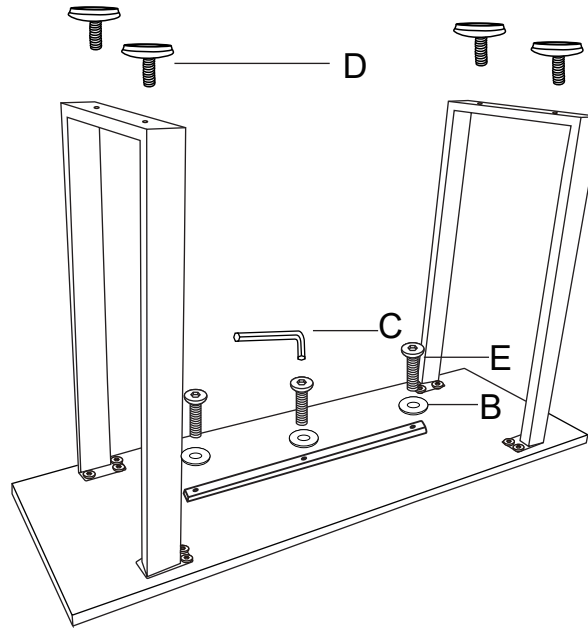


31-19-66

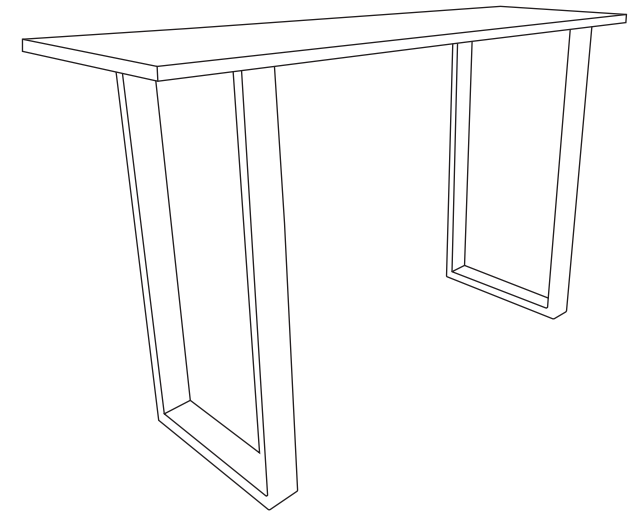
1.



2.



3.



Assembly Instructions

	x12	x15	x1	x4	x3
A	